

## BIOCLIP mechanical basin mixer

Ref. 2820L

Single hole removable mechanical mixer H.95mm L.120mm, Hygiene lever

### DESCRIPTION

**BIOCLIP mechanical basin mixer - Ref. 2820L**

Deck-mounted mechanical basin mixer.  
BIOCLIP mechanical mixer: mixer can be removed entirely for cleaning and disinfection.

Single hole mixer with spout H. 95mm L. 120mm fitted with a hygienic BIOSAFE nozzle.

Spout suitable for fitting a BIOFIL point-of-use filter.

Ø 35mm ceramic cartridge with pre-set maximum temperature limiter.

Body and spout with smooth interiors and low water volume.

No risk of cross flow between the hot and cold water.

No non-return valves on the inlets.

Flow rate regulated at 5 lpm.

Hygiene control lever 150mm.

Ergonomic, brass pop-up waste 1 1/4".

Supplied with PEX flexibles F3/8" with stopcocks in chrome-plated brass.

Fixing reinforced by 2 stainless steel rods.

Mechanical mixer ideal for healthcare facilities, retirement and care homes, hospitals and clinics.

Single hole mixer suitable for people with reduced mobility.

Mixer with 30-year warranty.

Also available with copper tails.

### TECHNICAL CHARACTERISTICS

**BIOCLIP mechanical basin mixer - Ref. 2820L**

|                     |                         |
|---------------------|-------------------------|
| Connector           | F3/8"                   |
| Technology          | BIOCLIP removable mixer |
| Drop height         | 95mm                    |
| Spout length        | 120mm                   |
| Flow rate           | 5 lpm                   |
| Temperature limiter | Yes                     |
| Finish              | Chrome-plated brass     |

Norms



Warranty



### ADVANTAGES



Hygiene: remove for internal cleaning



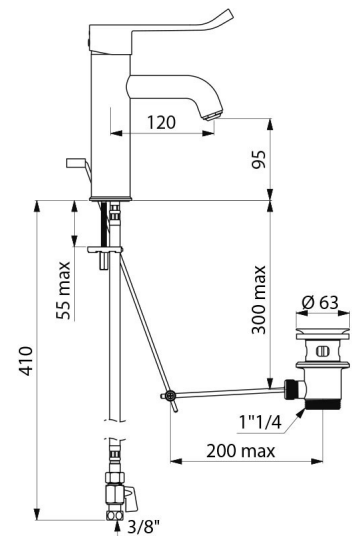
Hygiene: smooth interior reduces bacteria



Pre-set maximum temperature limiter



Hygiene lever: no manual contact



---

Repairability

