

SECURITHERM EP pressure-balancing basin mixer

Ref. 2565T5EP

Single hole, single control tall mixer with EP cartridge

DESCRIPTION

SECURITHERM EP pressure-balancing basin mixer - Ref. 2565T5EP

Deck-mounted SECURITHERM basin mixer with pressure-balancing. Single hole, single control mixer with fixed spout H. 200mm L. 170mm. Tall mixer with BIOSAFE hygienic outlet suitable for fitting a BIOFIL point-of-use filter.

Anti-scalding safety: HW flow reduces if CW supply fails (and vice versa). Stable temperature regardless of pressure and flow rate variations in the system.

Ø 35mm ceramic cartridge with pressure balancing with pre-set maximum temperature limiter.

Body and spout with smooth interiors (reduces bacterial development).

Thermal shocks are possible without removing the control lever or shutting off the cold water.

Flow rate regulated at 5 lpm.

Chrome-plated brass body and base.

Hygiene control lever L. 185mm requires no manual contact.

PEX flexibles F3/8" with filters and non-return valves.

Fixing reinforced by 2 stainless steel rods.

Mechanical mixer with pressure-balancing ideal for healthcare facilities, retirement and care homes, hospitals and clinics.

Single hole mixer suitable for people with reduced mobility.

Mixer with 30-year warranty.

TECHNICAL CHARACTERISTICS

SECURITHERM EP pressure-balancing basin mixer - Ref. 2565T5EP

Connector	F3/8"
Technology	SECURITHERM EP
Height	331mm
Drop height	200mm
Spout length	170mm
Flow rate	5 lpm
Temperature limiter	Yes
Finish	Chrome-plated brass

Norms



ADVANTAGES



EP: HW flow reduces if CW supply fails



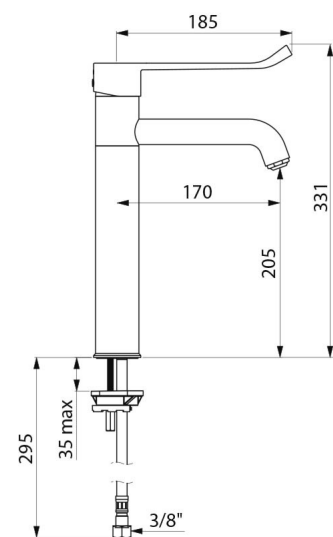
EP: reduces pressure variations



Thermal shocks are possible without removing lever



Hygiene: smooth interior reduces bacteria



Warranty



Repairability

