

# SECURITHERM EP BIOCLIP

## pressure-balancing basin mixer

Ref. 2820TEP

Single hole removable mechanical mixer H.95mm L.120mm, solid lever

### DESCRIPTION

**SECURITHERM EP BIOCLIP pressure-balancing basin mixer - Ref. 2820TEP**

Deck-mounted mechanical basin mixer with pressure-balancing. BIOCLIP mechanical mixer: mixer can be removed entirely for cleaning and disinfection.

Single hole mixer with spout H. 95mm L. 120mm fitted with a hygienic BIOSAFE nozzle.

Spout suitable for fitting a BIOFIL point-of-use filter.

Ø 35mm ceramic cartridge with pressure-balancing and pre-set maximum temperature limiter.

Total anti-scalding safety: HW flow rate is reduced if CW supply fails (and vice versa).

Stable temperature regardless of variations in pressure and flow rate in the system.

Body and spout with smooth interiors and low water volume.

No risk of cross flow between the hot and cold water.

No non-return valves on the inlets.

Flow rate limited to 5 lpm at 3 bar.

Solid control lever.

Ergonomic, brass pop-up waste 1 1/4".

F3/8" PEX flexibles with stopcocks.

Filters and non-return valves.

Fixing reinforced via 2 stainless steel rods.

Mechanical mixer with SECURITHERM pressure-balancing, ideal for healthcare facilities, retirement and care homes, hospitals and clinics.

Single hole mixer suitable for people with reduced mobility.

Mixer with 30-year warranty.

### TECHNICAL CHARACTERISTICS

**SECURITHERM EP BIOCLIP pressure-balancing basin mixer - Ref. 2820TEP**

Connector	F3/8"
Technology	SECURITHERM EP BIOCLIP
Drop height	95mm
Spout length	120mm
Flow rate	5 lpm at 3 bar
Temperature limiter	Yes
Finish	Chrome-plated brass



### ADVANTAGES



HW flow rate reduced if CW fails



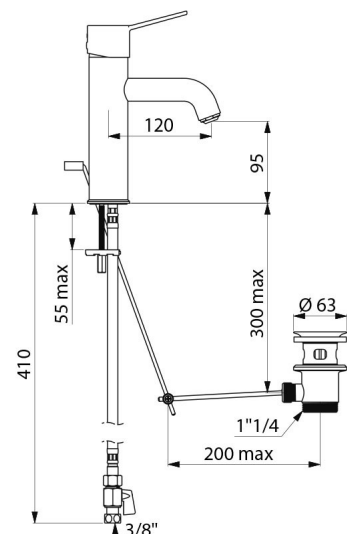
Hygiene: remove for internal descaling



Hygiene: smooth interior reduces bacteria



EP: reduces temperature variations



Norms

ACS



Warranty



Repairability

