

BIOSAFE sequential mechanical basin mixer - lead-free version

Ref. 2665T1LF

Tall single hole sequential mixer H.160 L.160, lead-free

DESCRIPTION

BIOSAFE sequential mechanical basin mixer - lead-free version - Ref. 2665T1LF

Deck-mounted tall mechanical basin mixer, lead-free.
Sequential mechanical mixer: opens and closes with cold water over a range of 70°.

Single hole mixer with fixed spout H.160 L.160.

Tall mixer with BIOSAFE hygienic outlet suitable for fitting a BIOFIL terminal filter.

Ø 35mm sequential ceramic cartridge with pre-set maximum temperature limiter.

Spout with internal tube with smooth interior, with nowhere for bacteria to develop and very low water volume.

The speed of the water inside this tube reduces biofilm development considerably.

Thermal shocks are possible without removing the control lever or shutting off the cold water supply.

Body with very low volume of water (reduces bacterial development).

Flow rate pre-set at 5 lpm.

Hygienic lever L.200 for use without manual contact.

F3/8" PEX flexibles.

No risk of cross flow between the hot and cold water.

No non-return valves on the inlets.

Fixing reinforced by 2 stainless-steel rods.

Mixer ideal for healthcare facilities, retirement and care homes, hospitals and clinics.

Sequential mixer suitable for people with reduced mobility.

Mixer with 30-year warranty.

TECHNICAL CHARACTERISTICS

BIOSAFE sequential mechanical basin mixer - lead-free version - Ref. 2665T1LF

Supply	3/8"
Technology	Sequential mechanical mixer
Drop height	160 mm
Spout length	160 mm
Flow rate	5 l/min
Temperature limiter	OUI
Finish	Chrome-plated brass



ADVANTAGES



Sequential: opens/closes with cold water



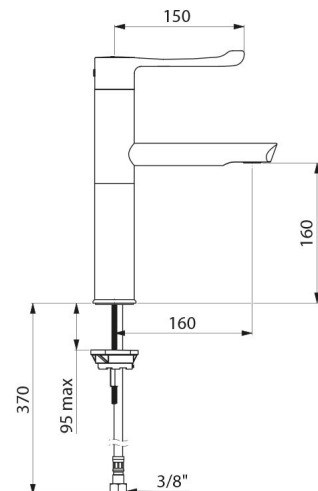
Thermal shocks without removing control lever



Maximum hygiene: controls biofilm



Lead-free



Norms



Warranty

