

TEMPOFIX 3 frame system for urinals

Ref. 543006-430016

Battery-operated electronic valve - For urinals Ø 35mm

DESCRIPTION

TEMPOFIX 3 frame system for urinals - Ref. 543006-430016

Frame system with electronic urinal valve:
 Black powder-coated steel frame for wall-mounted installation.
 Fixes to floor and load-bearing walls with anchoring bolts supplied.
 Adjustable bracket 95 - 280mm.
 Frame height can be adjusted from 0 - 200mm.
 Ø 50mm soil pipe with waterproof seal.
 Delivered pre-mounted.
 Compatible with wall finishes 13 - 120mm.
 10-year warranty.
 Fitted with TEMPOMATIC 4 F½" direct flush electronic valve:
 Operated by 123 6V Lithium batteries.
 Bright polished stainless steel plate 145 x 145mm with integrated electronics.
 Shock-resistant infrared presence detection sensor.
 Waterproof recessing housing.
 Detection delay is 10 seconds.
 3 programmes (rinsing volume can be adjusted according to urinal type).
 High frequency mode (exclusive to DELABIE).
 Hygienic duty flush every 24 hours (can be adjusted to 12 hours or OFF) after last use: prevents vacuums.
 Flow rate pre-set at 0.15 L/sec at 3 bar, can be adjusted.
 Connection with Ø 35mm connection washer for standard urinal valves.
 Technical features: see TEMPOMATIC 4 urinal ref. 430PBOX-430016.
 Kit contents:
 (543006): frame-system, tube with connection washer Ø 35mm, sleeve for soil pipe Ø 50mm, recessed housing with cover, valve configured for system flush, connection accessories.
 (430016): control plate, 6V lithium batteries, collar for waterproofing, valve, solenoid valve, filter and stopcock.

TECHNICAL CHARACTERISTICS

TEMPOFIX 3 frame system for urinals - Ref. 543006-430016

Supply	6V battery
Connector	½"
Technology	Electronic
Height	985 - 1385mm
Depth	160 - 220mm
Width	430mm
Finish	Bright stainless steel



ADVANTAGES



Total hygiene: no manual contact



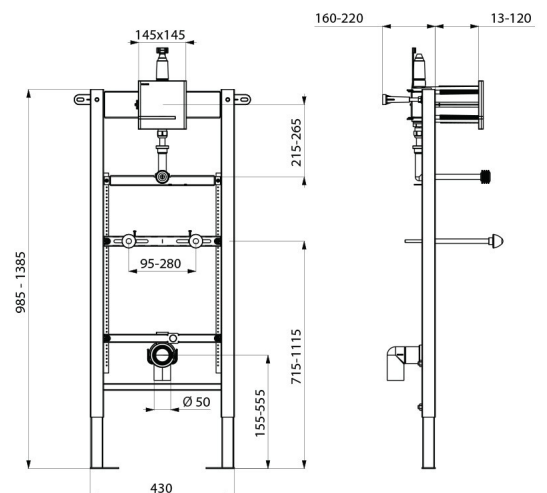
3 rinsing programmes and high frequency mode



Easy and quick to install: supplied pre-mounted



Hygienic duty flush



Norms



Warranty

